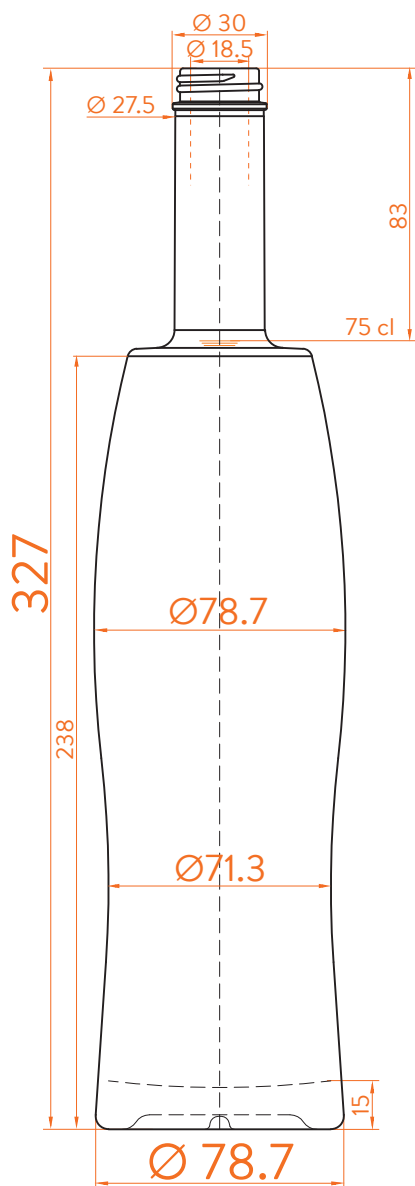


# WAVE ©

**estal**  
OFFICIAL DISTRIBUTOR

**MOLERY**



Modelo registrado/  
Registered model/  
Modèle enregistré



GPI



EXTRA FLINT



## DATOS TÉCNICOS TECHNICAL DATA DONNÉES TECHNIQUES

**Peso / Weight / Poids**

**75 cl**

750 gr

**Altura total / Total height / Hauteur totale**

327 mm

**Diámetro del cuerpo / Body diameter / Diamètre du corps**

78,7 / 78,7 mm

**Ø interno boca / Ø inner mouth / Ø intérieur bouche**

18,5 mm

**Capacidad a verter / Brimfull / Capacité Ras-Bord**

776 ml

At first the WAVE range is proposed in 70, 75 and 150 cl.

Following business opportunities, other sizes - from miniature 5 cl to big sizes 300 cl will be added to the range.

The elements detailed in this document are not contractual. They are only indicative.