

# SENSO<sup>®</sup>

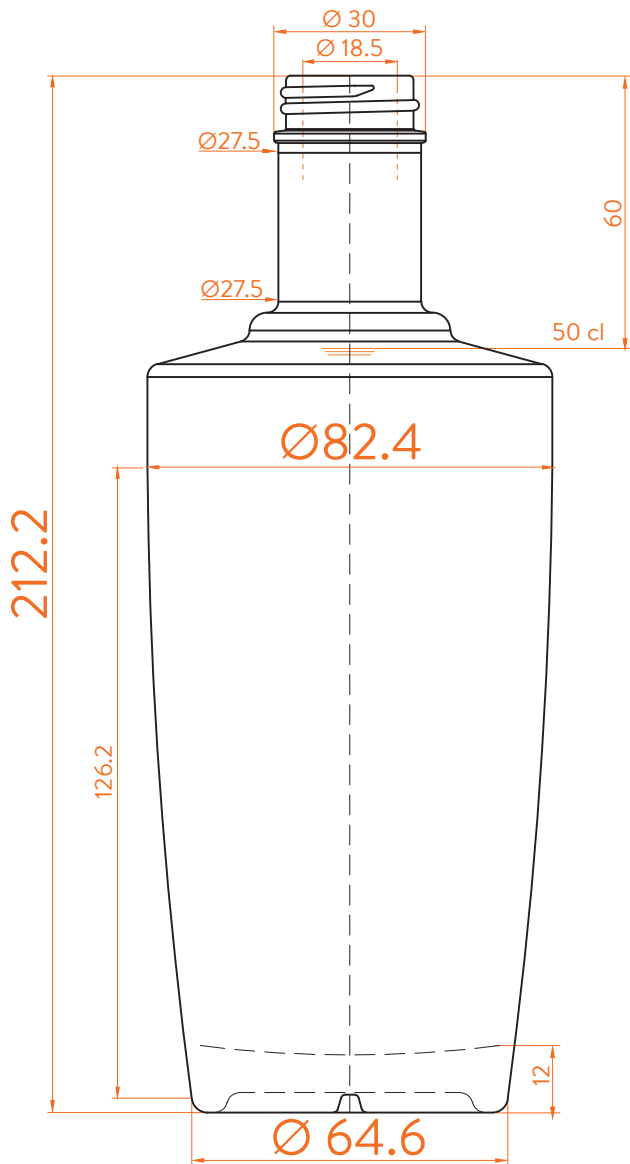
**estal**  
OFFICIAL DISTRIBUTOR

**MOLERY**

Modelo registrado/  
Registered model/  
Modèle enregistré



EXTRA FLINT



## DATOS TÉCNICOS TECHNICAL DATA DONNÉES TECHNIQUES

**Peso / Weight / Poids**

580 gr

**Altura total / Total height / Hauteur totale**

212,2 mm

**Diámetro del cuerpo / Body diameter / Diamètre du corps**

64,6 / 82,4 mm

**Ø interno boca / Ø inner mouth / Ø intérieur bouche**

18,5 mm

**Capacidad a verter / Brimfull / Capacité Ras-Bord**

515 ml

## 50 cl

At first the SENSO range is proposed in 5, 20, 50, 70 and 75 cl.  
Following business opportunities, other sizes - from miniature 5 cl to big sizes 300 cl will be added to the range.

The elements detailed in this document are not contractual. They are only indicative.