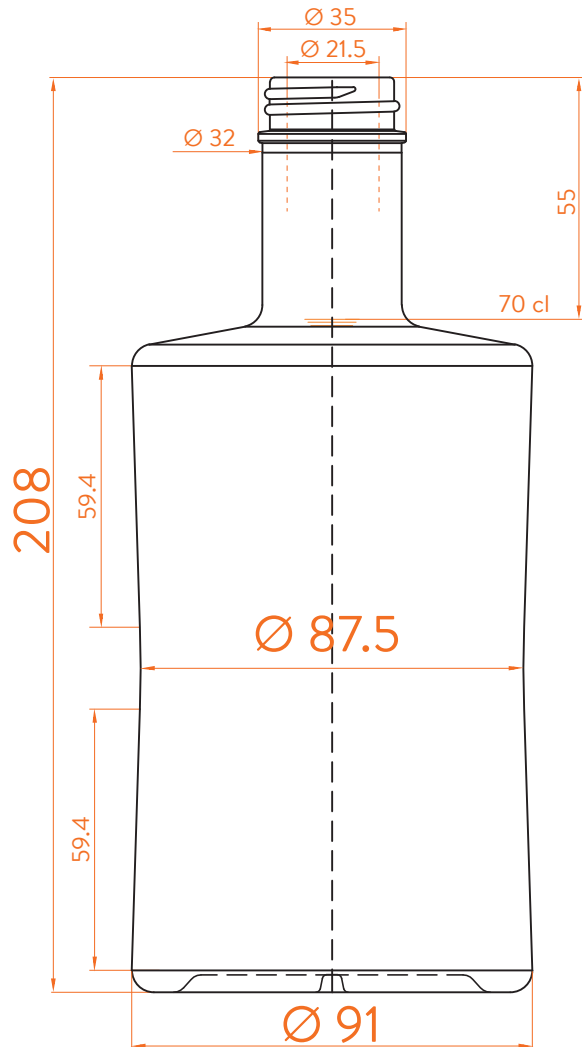


# MILENIO®

# estal

OFFICIAL DISTRIBUTOR

## MOLERY



Modelo registrado/  
Registered model/  
Modèle enregistré



### DATOS TÉCNICOS TECHNICAL DATA DONNÉES TECHNIQUES

**Peso / Weight / Poids**

600 gr

**Altura total / Total height / Hauteur totale**

208 mm

**Diámetro del cuerpo / Body diameter / Diamètre du corps**

91 / 87,5 mm

**Ø interno boca / Ø inner mouth / Ø intérieur bouche**

21,5 mm

**Capacidad a verter / Brimfull / Capacité Ras-Bord**

722 ml

## 70 cl

At first the MILENIO range is proposed in 70 and 75 cl.  
Following business opportunities, other sizes - from miniature 5 cl to big sizes 300 cl will be added to the range.

The elements detailed in this document are not contractual. They are only indicative.