

DECANTER

LEO[®]

estal

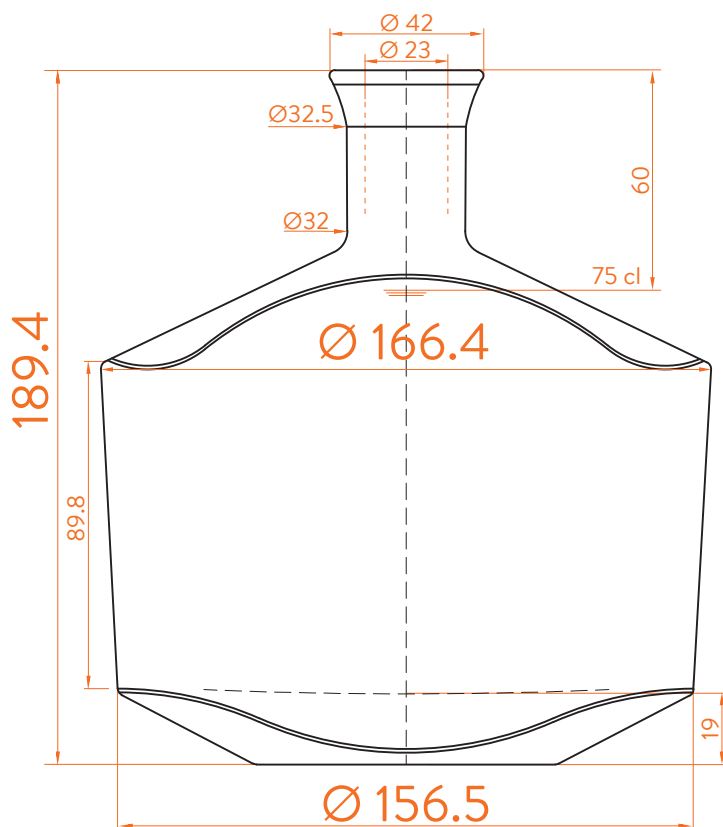
OFFICIAL DISTRIBUTOR

MOLERY

Modelo registrado/
Registered model/
Modèle enregistré

 Special

 EXTRA FLINT



DATOS TÉCNICOS TECHNICAL DATA DONNÉES TECHNIQUES

Peso / Weight / Poids	1.000 gr
Altura total / Total height / Hauteur totale	189,4 mm
Diámetro del cuerpo / Body diameter / Diamètre du corps	156,5 / 166,4 mm
Ø interno boca / Ø inner mouth / Ø intérieur bouche	23 mm
Capacidad a verter / Brimfull / Capacité Ras-Bord	775 ml

75 cl

At first the DECANTER LEO range is proposed in 70 and 75 cl.
Following business opportunities, other sizes - from miniature 5 cl to big sizes 300 cl will be added to the range.

The elements detailed in this document are not contractual. They are only indicative.