

# DECANTER

## LEO<sup>®</sup>

**estal**

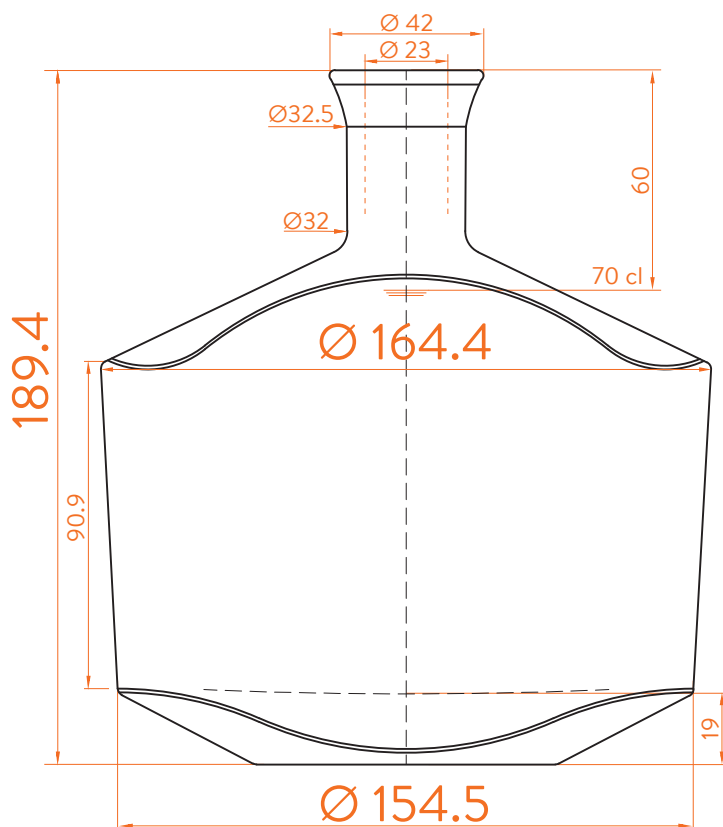
OFFICIAL DISTRIBUTOR

**MOLERY**

Modelo registrado/  
Registered model/  
Modèle enregistré

 Special

 EXTRA FLINT



### DATOS TÉCNICOS TECHNICAL DATA DONNÉES TECHNIQUES

<b>Peso / Weight / Poids</b>	1.000 gr
<b>Altura total / Total height / Hauteur totale</b>	189,4 mm
<b>Diámetro del cuerpo / Body diameter / Diamètre du corps</b>	154,5 / 164,4 mm
<b>Ø interno boca / Ø inner mouth / Ø intérieur bouche</b>	23 mm
<b>Capacidad a verter / Brimfull / Capacité Ras-Bord</b>	725 ml

**70 cl**

At first the DECANTER LEO range is proposed in 70 and 75 cl.  
Following business opportunities, other sizes - from miniature 5 cl to big sizes 300 cl will be added to the range.

The elements detailed in this document are not contractual. They are only indicative.