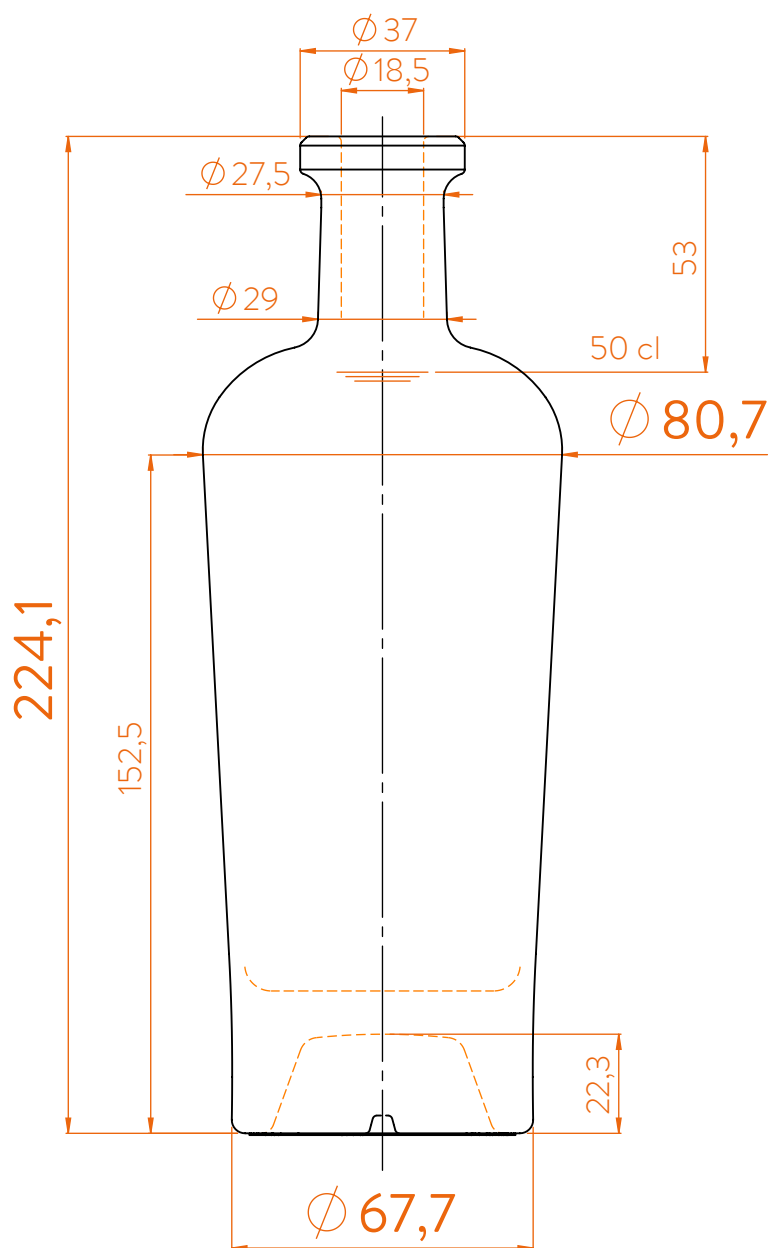


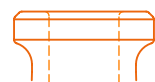
DA CLARIOR[®]

estal
OFFICIAL DISTRIBUTOR

MOLERY



Modelo registrado/
Registered model/
Modèle enregistré/



Special Cork

EXTRAFLINT



DATOS TÉCNICOS TECHNICAL DATA DONNÉES TECHNIQUES

Peso / Weight / Poids

550 gr

Altura total / Total height / Hauteur totale

224,1 mm

Diámetro del cuerpo / Body diameter / Diamètre du corps

67,7/80,7 mm

Ø interno boca / Ø inner mouth / Ø intérieur bouche

18,5 mm

Capacidad a verter / Brimfull / Capacité ras-bord

518 ml

50 cl

*At first the DA CLARIOR range is proposed in 50/70/75 cl.
Following business opportunities, other sizes (from miniature 5cl to big size 300cl) will be added to the range.*

The elements detailed in this document are not contractual. They are only indicative.