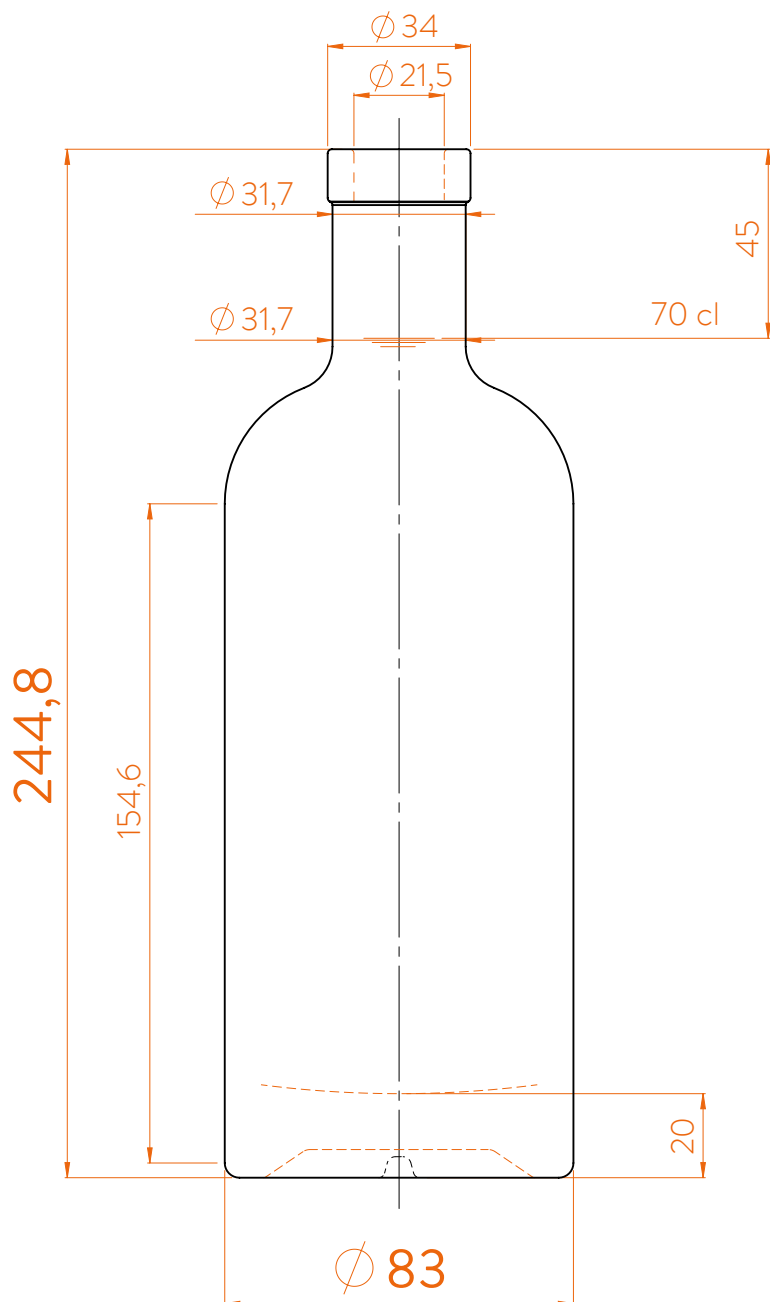


CASIOPE[®]

estal
OFFICIAL DISTRIBUTOR

MOLERY



Modelo registrado/
Registered model/
Modèle enregistré/



EXTRA FLINT



DATOS TÉCNICOS TECHNICAL DATA DONNÉES TECHNIQUES

Peso / Weight / Poids	735 gr
Altura total / Total height / Hauteur totale	244,8 mm
Diámetro del cuerpo / Body diameter / Diamètre du corps	83 mm
Ø interno boca / Ø inner mouth / Ø intérieur bouche	21,5 mm
Capacidad a verter / Brimfull / Capacité ras-bord	717 ml

70 cl

At first the CASIOPE range is proposed in 70/75 cl.
Following business opportunities, other sizes (from miniature 5cl to big size 300cl) will be added to the range.

The elements detailed in this document are not contractual. They are only indicative.